

Plaster 4

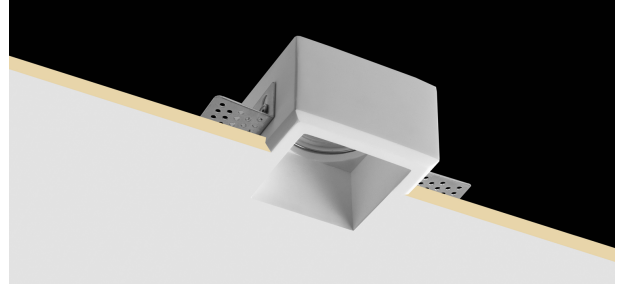
INC10517 - max. 35 W

DESCRIPTION

Plaster recessed downlight with GU10 lampholder set back.
Product is complete with GU10 lamp holder for 220 / 230V LED bulb. Ideal for functional and easy installations. Bulb is not included with the product.

Switch

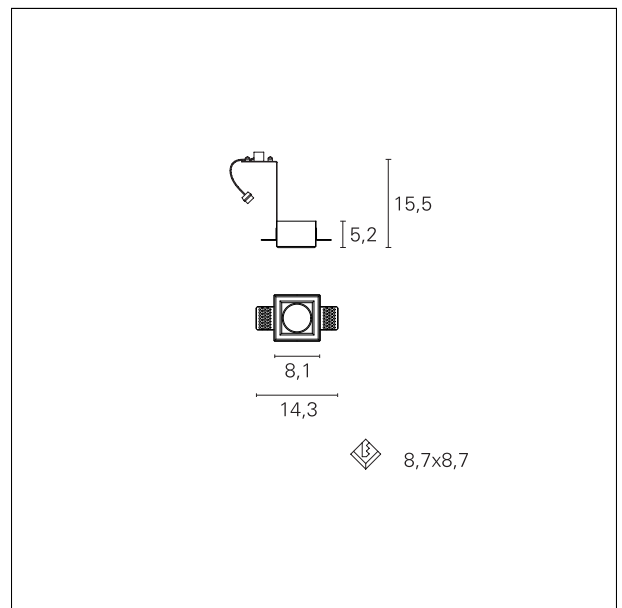
On÷Off



PRODUCTS CHARACTERISTICS

installation type
material
Finish
Color
Power
net weight

trimless recessed
Chalk
Smoothed
White
max. 35 W
0,40 kg.



ELECTRICAL CHARACTERISTICS

feeding
driver
Insulation class

220÷240 V
On÷Off
Class II

MECHANICAL CHARACTERISTICS

product IP rate

IP20

Plaster 4

INC10517 - max. 35 W

HOLE RECESS DIMENSIONS

a x b hole recess **87 x 87 mm.**

LED SOURCE DETAILS

led source type **LED / HAGS**
Light source connection **GU10**

LIGHTING DETAILS

emission **rotationally symmetrical**