

Show

INC1044 - 15 W / 3000 K / CRI >90

DESCRIPTION

Professional recessed product of small size equipped with high quality chromatic CoB LEDs, with CRI > 90 and SDCM < 3 values. Water and dustproof, Show stands out for its IP65 rating, which makes it suitable for installation even in areas where special attention as for protection and cleaning of lighting fixtures is required.

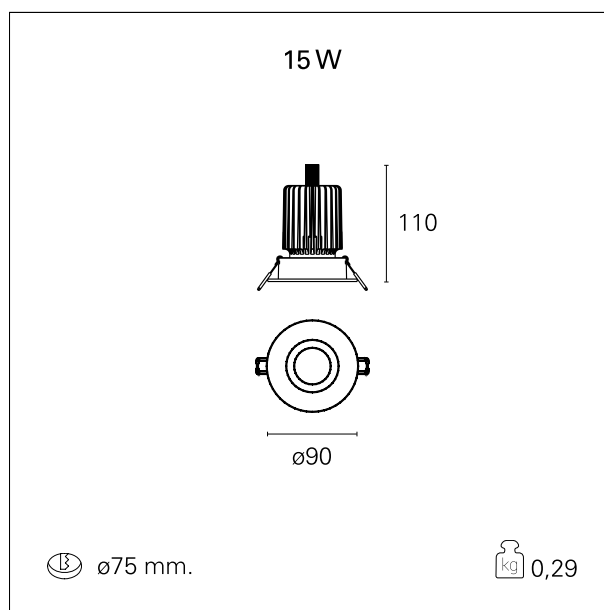
Switch

On÷Off



PRODUCTS CHARACTERISTICS

installation type	Recessed Spotlights
material	Aluminum
Color	White
Power	15 W
Lumen output - Full emission	1400 lm
Efficacy	93 lm/W
net weight	0,29 kg.



ELECTRICAL CHARACTERISTICS

feeding	220÷240 V
driver	On÷Off
Insulation class	Class II

MECHANICAL CHARACTERISTICS

product IP rate	IP65
-----------------	-------------

Show

INC1044 - 15 W / 3000 K / CRI >90

HOLE RECESS DIMENSIONS

hole recess diameter **ø 75 mm.**

LED SOURCE DETAILS

led source type	CoB Led
Photobiological risk	RG 1 Low risk (IEC 62471)
LED brand	Cree CXA*
Service lifetime	L80 / B20 - 50.000 h.
Light temperature	3000 K
CRI	CRI >90
SDCM	< 3

DRIVER CHARACTERISTICS

driver	On÷Off
Operating temperature	-20°C ÷ 45°C

LIGHTING DETAILS

emission	rotationally symmetrical
luminous effect	flood
optic	40°
Beam angle - direct	40°

PHOTOMETRIC

Show

INC1044 - 15 W / 3000 K / CRI >90

