

Giove

GRF14103 - ø 46 cm. - max 40 W / max 40 W

DESCRIPTION

Giove is a pendant luminaire characterized by a fabric shade mounted on a frame. It is complete with a translucent parchment screen and is equipped with E27 sockets. It allows to obtain diffused light effects and is available in different diameters. It suspends up to 350 cm. thanks to three steel cables covered with transparent sheath, adjustable in height with self-locking "grip lock" system. Power cable in FEP + white PVC.

Switch

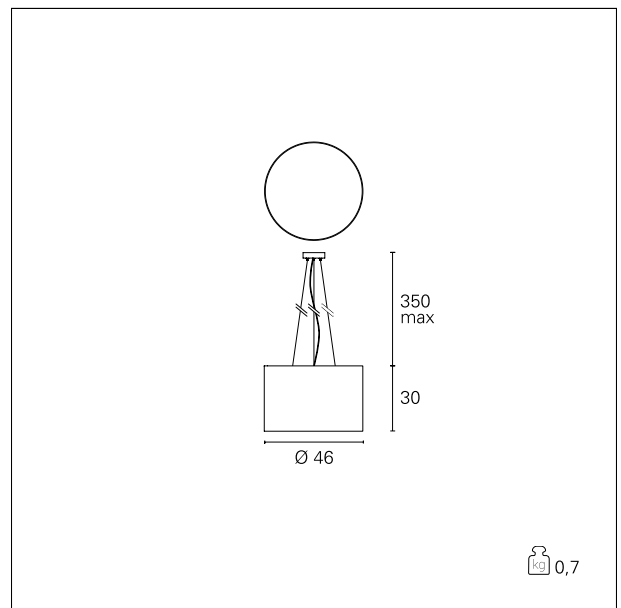
On:Off



PRODUCTS CHARACTERISTICS

installation type
material
Color
Power
Diameter
net weight

High Bays
Fabric
Black mesh fabric
max 40 W
ø 46 cm.
0,70 kg.



ELECTRICAL CHARACTERISTICS

feeding
driver
Insulation class

220÷240 V
On:Off
Class I

MECHANICAL CHARACTERISTICS

product IP rate

IP20

Giove

GRF14103 - ø 46 cm. - max 40 W / max 40 W

LED SOURCE DETAILS

led source type	LED / IAA
Light source connection	E27

DRIVER CHARACTERISTICS

driver	On=Off
--------	---------------

LIGHTING DETAILS

emission	Downlight
----------	------------------