

Panto

GRD06131 - 36 W / 3000 K / CRI >80

DESCRIPTION

The Panto range responds to the need to illuminate outdoor areas by offering three different coordinated fixtures; the 50 cm minibollard, the 90 cm bollard, and the 170 cm pole. In height, are the three solutions that solve most of the residential lighting systems. The optical head is characterized by the SMD LED source and the circular diffuser, a combination that allows perfect light diffusion both on the screen itself and throughout the surrounding area, obtaining comfortable and glare-free lighting. All the Panto series bollards are complete with drivers and wired with power cable and IP68 connector; they are characterized by compactness and solidity, are made of extruded aluminum and are equipped with a specific stand alone mounting plate that make easier the installation.

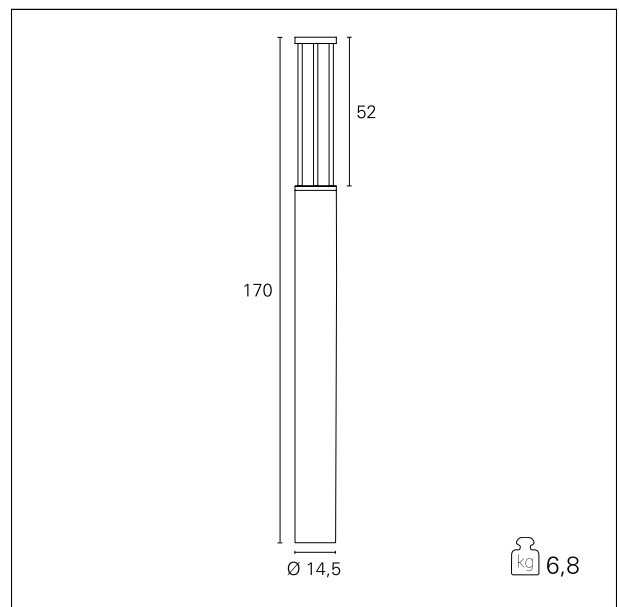


Switch

On+Off

PRODUCTS CHARACTERISTICS

installation type	Bollard
material	Aluminum
Color	Anthracite
Power	36 W
Lumen output - Full emission	2300 lm
Efficacy	64 lm/W
Dimensions	h 170 cm.
net weight	6,8 kg.



ELECTRICAL CHARACTERISTICS

feeding	220÷240 V
driver	On+Off
Insulation class	Class I

MECHANICAL CHARACTERISTICS

Panto

GRD06131 - 36 W / 3000 K / CRI >80

product IP rate
IK

IP65
IK06

LED SOURCE DETAILS

led source type
Light source connection
Service lifetime
Light temperature
CRI

SMD Led
LED
L80 / B50 – 30.000 h
3000 K
CRI >80

PHOTOMETRIC

