

Panto

GRD05331 - 18 W / 3000 K / CRI >80

DESCRIPTION

The Panto range responds to the need to illuminate outdoor areas by offering three different coordinated fixtures; the 50 cm minibollard, the 90 cm bollard, and the 170 cm pole. In height, are the three solutions that solve most of the residential lighting systems. The optical head is characterized by the SMD LED source and the circular diffuser, a combination that allows perfect light diffusion both on the screen itself and throughout the surrounding area, obtaining comfortable and glare-free lighting. All the Panto series bollards are complete with drivers and wired with power cable and IP68 connector; they are characterized by compactness and solidity, are made of extruded aluminum and are equipped with a specific stand alone mounting plate that make easier the installation.



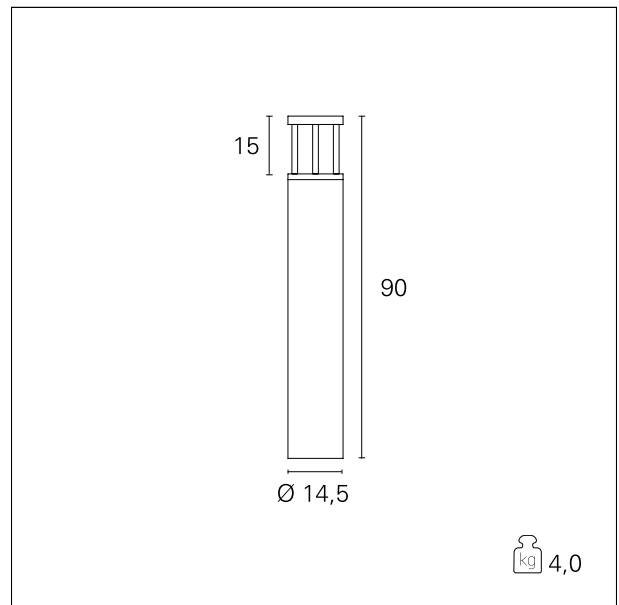
Switch

On+Off

PRODUCTS CHARACTERISTICS

installation type
material
Color
Power
Lumen output - Full emission
Efficacy
Dimensions
net weight

Bollard
Aluminum
Anthracite
18 W
1070 lm
60 lm/W
h 90 cm.
4 kg.



ELECTRICAL CHARACTERISTICS

feeding
driver
Insulation class

220÷240 V
On+Off
Class I

MECHANICAL CHARACTERISTICS

Panto

GRD05331 - 18 W / 3000 K / CRI >80

product IP rate
IK

IP65
IK06

LED SOURCE DETAILS

led source type
Light source connection
Service lifetime
Light temperature
CRI

SMD Led
LED
L80 / B50 - 30.000 h
3000 K
CRI >80

PHOTOMETRIC

