

### Panto

GRD05231 - 18 W / 3000 K / CRI >80

#### DESCRIPTION

The Panto range responds to the need to illuminate outdoor areas by offering three different coordinated fixtures; the 50 cm minibollard, the 90 cm bollard, and the 170 cm pole. In height, are the three solutions that solve most of the residential lighting systems. The optical head is characterized by the SMD LED source and the circular diffuser, a combination that allows perfect light diffusion both on the screen itself and throughout the surrounding area, obtaining comfortable and glare-free lighting. All the Panto series bollards are complete with drivers and wired with power cable and IP68 connector; they are characterized by compactness and solidity, are made of extruded aluminum and are equipped with a specific stand alone mounting plate that make easier the installation.



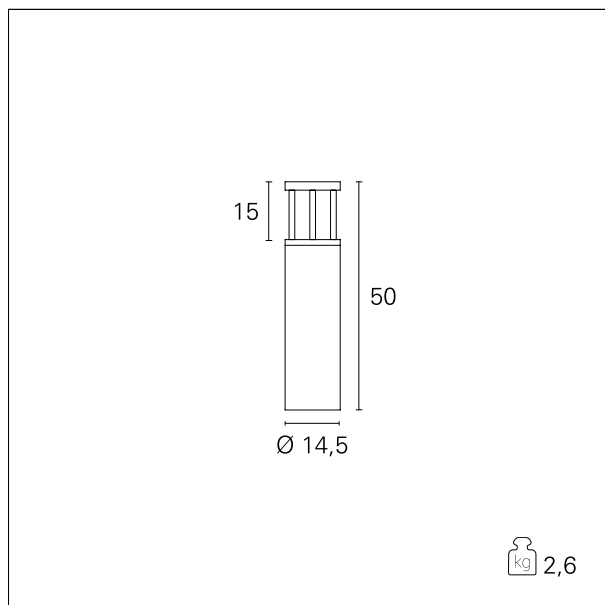
Switch

On+Off

#### PRODUCTS CHARACTERISTICS

installation type  
material  
Color  
Power  
Lumen output - Full emission  
Efficacy  
Dimensions  
net weight

**Bollard**  
**Aluminum**  
**Anthracite**  
**18 W**  
**1070 lm**  
**60 lm/W**  
**h 50 cm.**  
**2,6 kg.**



#### ELECTRICAL CHARACTERISTICS

feeding  
driver  
Insulation class

**220÷240 V**  
**On+Off**  
**Class I**

#### MECHANICAL CHARACTERISTICS

### Panto

**GRD05231** - 18 W / 3000 K / CRI >80

product IP rate  
IK

**IP65**  
**IK06**

### LED SOURCE DETAILS

led source type  
Light source connection  
Service lifetime  
Light temperature  
CRI

**SMD Led**  
**LED**  
**L80 / B50 - 30.000 h**  
**3000 K**  
**CRI >80**

### PHOTOMETRIC

