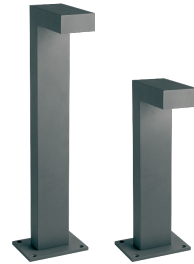


Birk

GRD03121 - 9 W / 3000 K / CRI >80

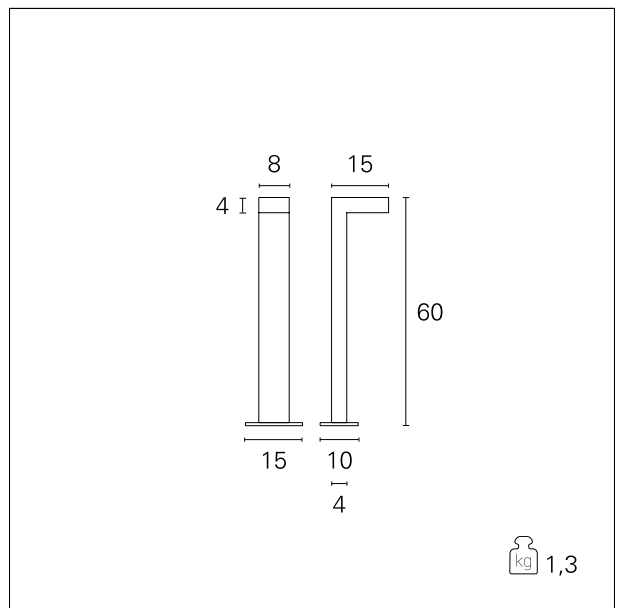
DESCRIPTION

Birk is an outdoor bollard designed to illuminate the surrounding area with a comfortable, bright and totally controlled light. The LED source is hidden from any view and its emission directed totally downwards eliminates any form of glare and light pollution. Birk is the ideal solution to illuminate all private or public outdoor areas that require comfortable and bright light: its constructive solidity makes it suitable for use even in areas where particular resistance to vandalism is required. Equipped with integrated driver and wired with H05RN-F neoprene power cable, the Birk series bollards are made of powder-coated aluminum and are equipped with a solid drilled foot for with four points of attachment to the concrete plinth.



PRODUCTS CHARACTERISTICS

installation type	Bollard
material	Aluminum
Finish	Painted
Color	Anthracite
Power	9 W
Lumen output - Full emission	390 lm
Efficacy	43 lm/W
Dimensions	h 60 cm.
net weight	1,3 kg.



ELECTRICAL CHARACTERISTICS

feeding	220÷240 V
driver	On÷Off
Insulation class	Class I

MECHANICAL CHARACTERISTICS

product IP rate	IP65
-----------------	-------------

Birk

GRD03121 - 9 W / 3000 K / CRI >80

LED SOURCE DETAILS

led source type	Power Led
Light source connection	LED
Service lifetime	L80 / B20 - 36.000 h.
Light temperature	3000 K
CRI	CRI >80

PHOTOMETRIC

