

### Dado

GRD01331 - 6 W / 3000 K / CRI >80

#### DESCRIPTION

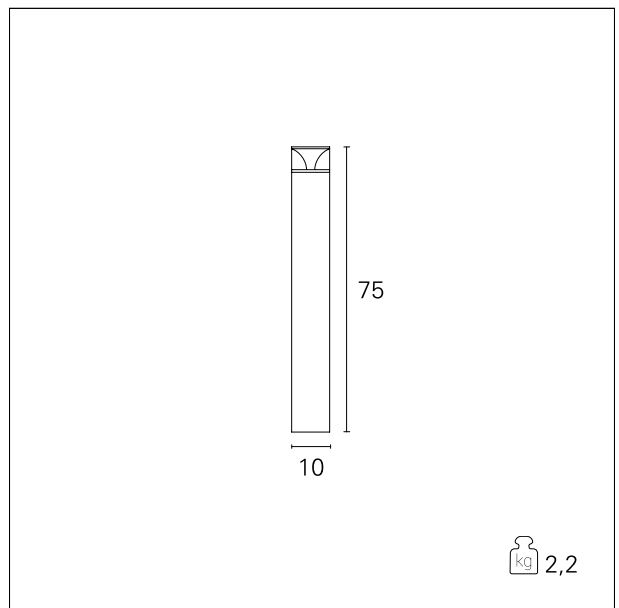
The bollards of Dado series are particularly suitable for the lighting of large outdoor areas, such as parks, gardens, pedestrian walkways and rest areas. Dado illuminates the whole surrounding area thanks to its particular optical module that combines different light reflections to obtain particularly soft and uniform lighting. Complete with drivers and wired with power cable and IP68 plug, the bollards of the Dado series are made of extruded aluminum and are equipped with a specific stand alone mounting plate that facilitates installation. The version for wall mounting completes the range allowing to create systems with different types of coordinated appliances.



Switch **On:Off**

#### PRODUCTS CHARACTERISTICS

installation type	<b>Bollard</b>
material	<b>Aluminum</b>
Finish	<b>Painted</b>
Color	<b>Anthracite</b>
Power	<b>6 W</b>
Lumen output - Full emission	<b>390 lm</b>
Efficacy	<b>65 lm/W</b>
Dimensions	<b>h 75 cm.</b>
net weight	<b>2,2 kg.</b>



#### ELECTRICAL CHARACTERISTICS

feeding	<b>220÷240 V</b>
driver	<b>On:Off</b>
Insulation class	<b>Class I</b>

#### MECHANICAL CHARACTERISTICS

product IP rate	<b>IP65</b>
-----------------	-------------

### Dado

GRD01331 - 6 W / 3000 K / CRI >80

IK

IK06

### LED SOURCE DETAILS

led source type	<b>SMD Led</b>
Light source connection	<b>LED</b>
Service lifetime	<b>L80 / B50 - 30.000 h</b>
Light temperature	<b>3000 K</b>
CRI	<b>CRI &gt;80</b>

### LIGHTING DETAILS

optic **360° + 90°**

### PHOTOMETRIC

