

Tribal Diffuser

GLT01212 - SMD led - 23 W / 4000 K / CRI >90

DESCRIPTION

"Tribal" downlights are ideal products for general lighting. They can be equipped with CoB LEDs and SMD LEDs, depending on the type of lighting effect and the type of shadows desired. Extremely compact, they can also be installed in false ceilings very close to the structural ceiling and are made in different powers and sizes. The decorative rings, rounded or squared, complete the optical modules and must be ordered with the relative separate code.

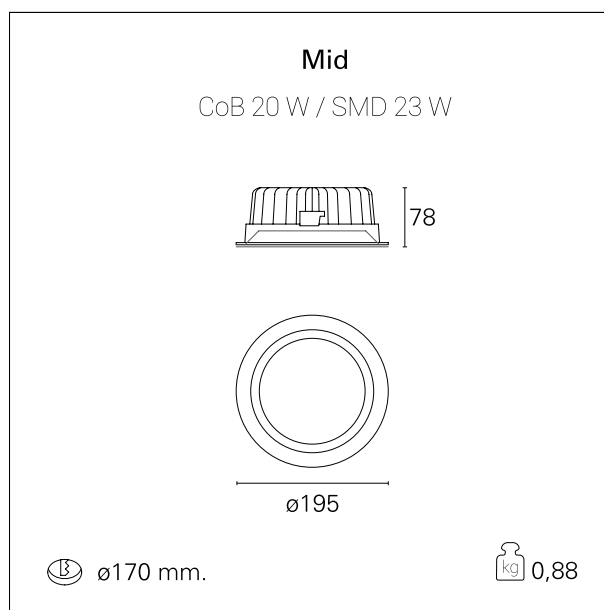
Switch

On+Off



PRODUCTS CHARACTERISTICS

installation type	Recessed Spotlights
material	Aluminum
Color	White
Power	23 W
Lumen output - Full emission	1812 lm
Efficacy	107 lm/W
Diameter	ø 195 mm.
net weight	0,88 kg.



ELECTRICAL CHARACTERISTICS

feeding	220÷240 V
driver	On+Off
Insulation class	Class II

MECHANICAL CHARACTERISTICS

product IP rate	IP20
-----------------	-------------

Tribal Diffuser

GLT01212 - SMD led - 23 W / 4000 K / CRI >90

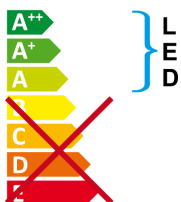
HOLE RECESS DIMENSIONS

hole recess diameter **ø 170 mm.**

ENERGY CLASSIFICATION



This luminaire contains built-in LED lamps.



L
E
D

The lamps cannot be changed in the luminaire.

LED SOURCE DETAILS

led source type	SMD Led
Service lifetime	L80 / B20 - 50.000 h.
Light temperature	4000 K
CRI	CRI >90

DRIVER CHARACTERISTICS

driver	On÷Off
Operating temperature	-20°C ÷ 45°C

LIGHTING DETAILS

emission	rotationally symmetrical
luminous effect	wide
optic	90°
Beam angle - direct	90°
UGR	≤ 19

Tribal Diffuser

GLT01212 - SMD led - 23 W / 4000 K / CRI >90

PHOTOMETRIC

