

### Focus Adj Round

**FO-NAB14B** - 2700K - Optics 55° / 3 W / 2700K / CRI >90

#### DESCRIPTION

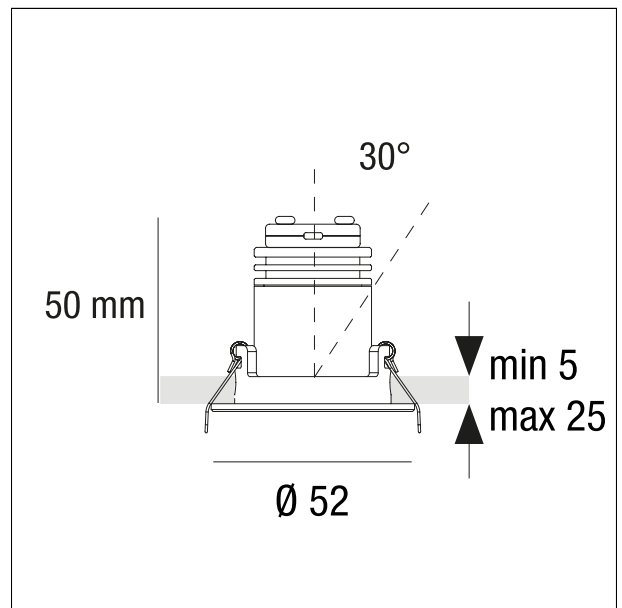
The recessed downlight Focus range are designed to be used for accent lighting in small and medium spaces. Small in size but great performance, they are proposed in different sizes and powers. The choice between MICRO, MINI, MEDIUM and BIG allows the use of the appliance that best suits your needs. Our range include fix and adjustable versions. All models can be configured by color choice, product color and management (On/Off, DALI, Push, Phase Cut). Optics with different beam angle can be selected. LED is placed in the back position and characterizes the product for remarkable cut off. The product is made of aluminium turning and presents simplified installation. Different colors available in the Focus range: in addition to black and white you can choose tobacco, sand and silver. The driver is separate from the product, our proposal include several power supply in reason of the installation.



Switch **On+Off**

#### PRODUCTS CHARACTERISTICS

installation type	<b>recessed</b>
material	<b>aluminum</b>
Colour	<b>Black</b>
Power	<b>3 W</b>
Lumen output - Full emission	<b>178 lm</b>
Efficacy	<b>60 lm/W</b>
Diameter	<b>ø 52 mm.</b>
Dimensions	<b>h 50 mm.</b>
net weight	<b>0,10 kg.</b>



#### ELECTRICAL CHARACTERISTICS

driver **On+Off**

#### MECHANICAL CHARACTERISTICS

product IP rate **IP20**

### Focus Adj Round

FO-NAB14B - 2700K - Optics 55° / 3 W / 2700K / CRI >90

#### HOLE RECESS DIMENSIONS

hole recess diameter **ø 45 mm.**

#### LED SOURCE DETAILS

led source type	<b>Power Led</b>
Photobiological risk	<b>Gruppo di rischio basso RG 1 ( IEC 62471 )</b>
LED current	<b>700 mA</b>
LED voltage	<b>2,90 V</b>
Light temperature	<b>2700K</b>
CRI	<b>CRI &gt;90</b>
SDCM	<b>&lt; 3</b>

#### DRIVER CHARACTERISTICS

driver **On:Off**

#### LIGHTING DETAILS

luminous effect	<b>spot</b>
optic	<b>55°</b>
Beam angle - direct	<b>55°</b>

#### PHOTOMETRIC

