

Planet

EST80101 - 6 W - Ceiling mounted - Downlight / 3000 K / CRI >80

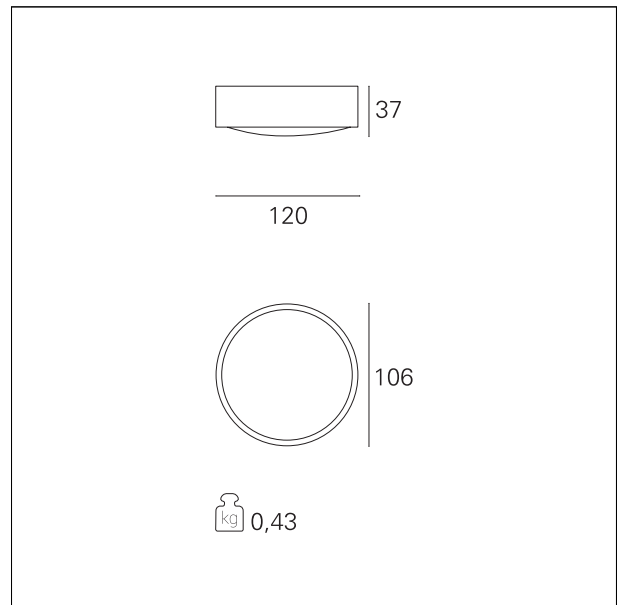
DESCRIPTION

With a rigorously minimal design, Planet combines the extraordinary compactness and solidity of its shape with an innovative spherical lens capable of projecting light in a precise and defined way; the version for ceiling installation creates a wide and clear circular light beam for a performant lighting of paths, porches and covered areas; the version for wall installation illuminates the vertical surface with wide and extraordinarily sharp beams, creating extremely precise and clean grazing light effects. The single emission for wall mounting versions can be installed both for upwards and downwards lighting. Planet is made of die-cast aluminum and is equipped with a drilled fixing bracket for dual in/out connection; this can be installed on the wall or ceiling separately from the optical body for an easier electrical connection to the system and fixing to the wall or ceiling.



PRODUCTS CHARACTERISTICS

installation type	Wall and Ceiling Mounted
material	Aluminum
Color	Anthracite
Power	6 W
Lumen output - Full emission	320 lm



ELECTRICAL CHARACTERISTICS

feeding	220÷240 V
driver	On÷Off
Insulation class	Class I

MECHANICAL CHARACTERISTICS

Planet

EST80101 - 6 W - Ceiling mounted - Downlight / 3000 K / CRI >80

product IP rate **IP65**
IK **IK06**

LED SOURCE DETAILS

led source type **CoB Led**
Light source connection **LED**
Service lifetime **L80 / B20 - 50.000 h.**
Light temperature **3000 K**
CRI **CRI >80**

LIGHTING DETAILS

emission **Direct / Indirect**
optic **90°**

PHOTOMETRIC

