

### Shoot

**EST754** - 8 W - 690 lm. - Wall Arm / 3000 K / CRI >80

#### DESCRIPTION

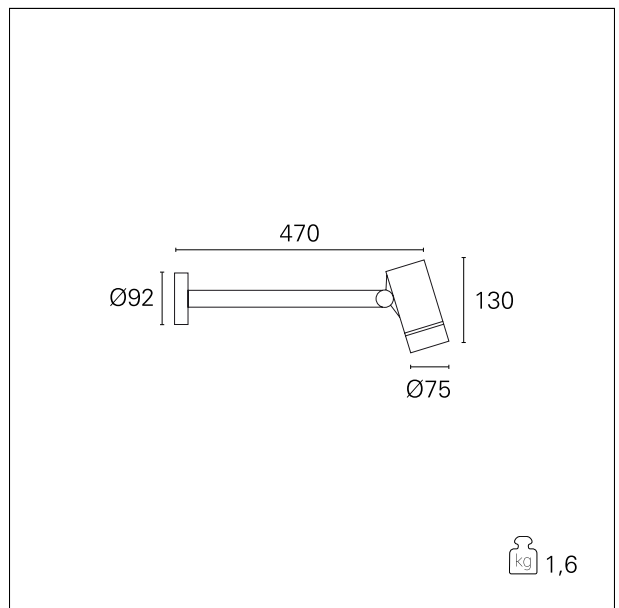
Shoot is an adjustable projector made of die-cast aluminum and equipped with a CoB Led combined with a specific 30 ° optical lens; it can be installed outdoors and stands out for its numerous fixing systems which make it extremely versatile for solving various installation problems; mounted on a bracket, on an arm rather than on a spike, Shoot is the projector with small dimensions ideal for illuminating paths, green areas, small monuments or any architectural element



#### PRODUCTS CHARACTERISTICS

installation type  
material  
Finish  
Color  
Power  
Lumen output - Full emission  
Efficacy  
net weight

**Outdoor Spot**  
**Aluminum**  
**Painted**  
**Gray**  
**8 W**  
**690 lm**  
**23 lm/W**  
**1,6 kg.**



#### ELECTRICAL CHARACTERISTICS

feeding  
driver  
Insulation class

**220÷240 V**  
**On:Off**  
**Class I**

#### MECHANICAL CHARACTERISTICS

product IP rate  
IK

**IP65**  
**IK07**

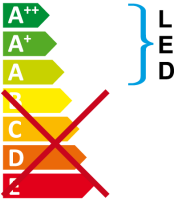
### Shoot

**EST754** - 8 W - 690 lm. - Wall Arm / 3000 K / CRI >80

### ENERGY CLASSIFICATION



This luminaire contains built-in LED lamps.



The lamps cannot be changed in the luminaire.

### LED SOURCE DETAILS

led source type	<b>CoB Led</b>
Light temperature	<b>3000 K</b>
CRI	<b>CRI &gt;80</b>

### LIGHTING DETAILS

emission	<b>Direct</b>
optic	<b>30°</b>

### PHOTOMETRIC

