

Shoot

EST752 - 8 W - 690 lm. - Base / 3000 K / CRI >80

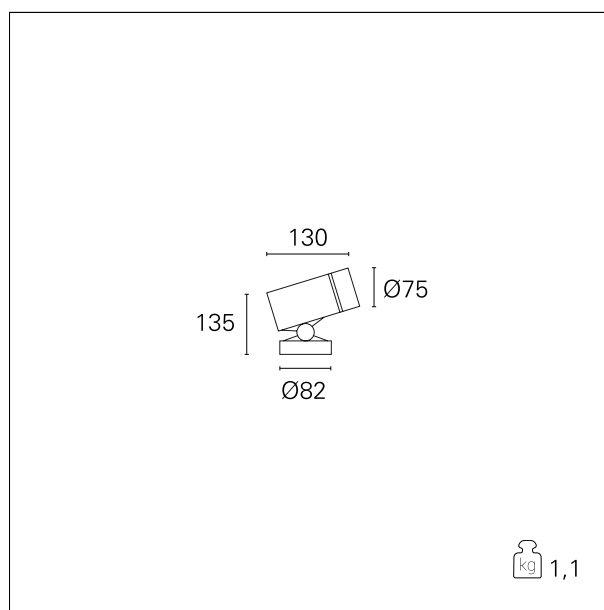
DESCRIPTION

Shoot is an adjustable projector made of die-cast aluminum and equipped with a CoB Led combined with a specific 30 ° optical lens; it can be installed outdoors and stands out for its numerous fixing systems which make it extremely versatile for solving various installation problems; mounted on a bracket, on an arm rather than on a spike, Shoot is the projector with small dimensions ideal for illuminating paths, green areas, small monuments or any architectural element



PRODUCTS CHARACTERISTICS

installation type	Outdoor Spot
material	Aluminum
Finish	Painted
Color	Gray
Power	8 W
Lumen output - Full emission	690 lm
Efficacy	23 lm/W
net weight	1,1 kg.



ELECTRICAL CHARACTERISTICS

feeding	220÷240 V
driver	On:Off
Insulation class	Class I

MECHANICAL CHARACTERISTICS

product IP rate	IP65
IK	IK07

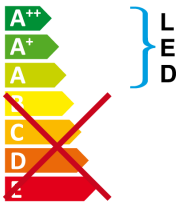
Shoot

EST752 - 8 W - 690 lm. - Base / 3000 K / CRI >80

ENERGY CLASSIFICATION



This luminaire contains built-in LED lamps.



The lamps cannot be changed in the luminaire.

LED SOURCE DETAILS

led source type	CoB Led
Light temperature	3000 K
CRI	CRI >80

LIGHTING DETAILS

emission	Direct
optic	30°

PHOTOMETRIC

