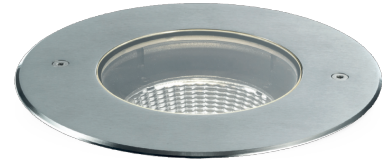


### Bart Multiled

**EST724** - 3x 2 W - Fixed / 3000 K / CRI >80

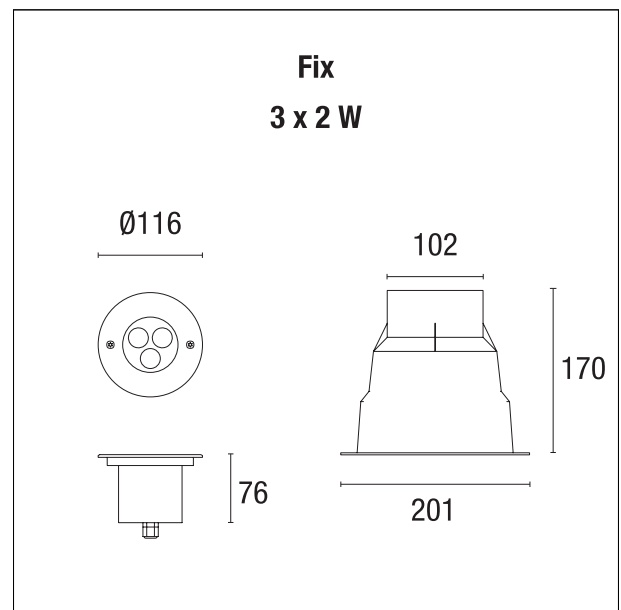
#### DESCRIPTION

Recessed fixtures are primary elements in contemporary lighting design choices for creating highlights and dramatic lighting effects. In this product line, you'll find our best-selling items in the outdoor recessed program. The selection covers various light outputs, dimensions, LED types, optics, and adjustability. The fixture consists of a die-cast aluminum structure in which drivers, optics, and LED components are housed. Great care is taken in selecting the quality of die-casting, painting, and additional components. All models have a ring made of stainless steel AISI 316L, which, combined with specifically designed gaskets, provides the necessary sealing guarantees for every installation. Our offering is structured into two sections: CoB and Power LED.



#### PRODUCTS CHARACTERISTICS

installation type	<b>Small Ingrounds</b>
material	<b>AISI 316L stainless steel</b>
Color	<b>Steel</b>
Power	<b>3x 2 W</b>
Lumen output - Full emission	<b>430 lm</b>
Efficacy	<b>102 lm/W</b>
Diameter	<b>ø 115 mm.</b>
net weight	<b>1 kg.</b>



#### ELECTRICAL CHARACTERISTICS

feeding	<b>220÷240 V</b>
driver	<b>On÷Off</b>
Insulation class	<b>Class I</b>

#### MECHANICAL CHARACTERISTICS

product IP rate	<b>IP67</b>
IK	<b>IK09</b>

## Bart Multiled

EST724 - 3x 2 W - Fixed / 3000 K / CRI >80

### LED SOURCE DETAILS

led source type	<b>Multiled</b>
Service lifetime	<b>L80 / B20 - 50.000 h.</b>
Light temperature	<b>3000 K</b>
CRI	<b>CRI &gt;80</b>

### LIGHTING DETAILS

emission	<b>Indirect</b>
optic	<b>20°</b>

### PHOTOMETRIC

