

Nip Power Led

EST701 - 2 W - Rounded / 3000 K / CRI >80

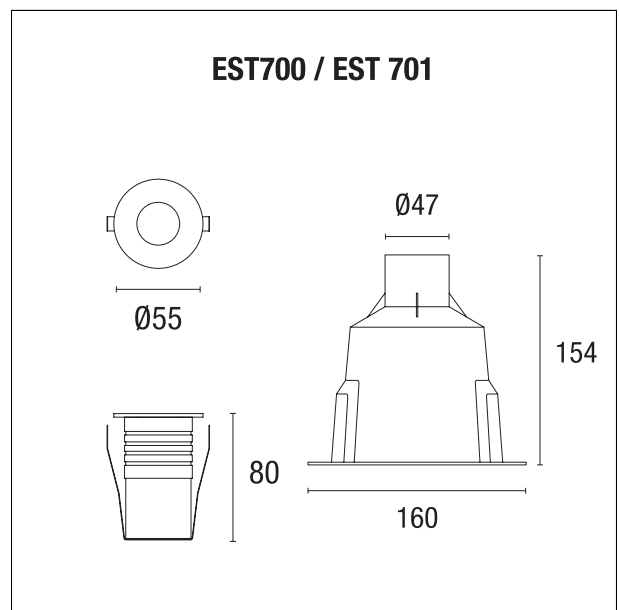
DESCRIPTION

NIP includes a series of MINI recessed fixtures ideal for creating outdoor lighting installations where either white or RGB lighting effects are required. The fixture is equipped with a front panel made of AISI 316L stainless steel, specifically designed to resist corrosion even in critical environments. The protective glass is flushmounted to minimize the entry of dust and debris. NIP operates on a 24V DC voltage in the monochromatic versions and requires specific control in the RGB version. It comes with a dedicated PVC junction box with provisions for lateral connections and a pre-wired H05RN-F power cable measuring 1 meter.



PRODUCTS CHARACTERISTICS

installation type	Small Ingrounds
material	Aluminum die casting / AISI 316 stainless steel
Finish	Anodized
Color	Steel
Power	2 W
Lumen output - Full emission	160 lm
Efficacy	98 lm/W
Diameter	ø 55 mm.
net weight	0,37 kg.



ELECTRICAL CHARACTERISTICS

feeding	24V DC
driver	On:Off
Insulation class	Class II

MECHANICAL CHARACTERISTICS

product IP rate	IP67
IK	IK08

Nip Power Led

EST701 - 2 W - Rounded / 3000 K / CRI >80

LED SOURCE DETAILS

led source type	Power Led
Service lifetime	L80 / B20 - 36.000 h.
Light temperature	3000 K
CRI	CRI >80

LIGHTING DETAILS

emission	Indirect
optic	30°

PHOTOMETRIC

