

Nip Power Led

EST700 - 2 W - Rounded / 4000 K / CRI >80

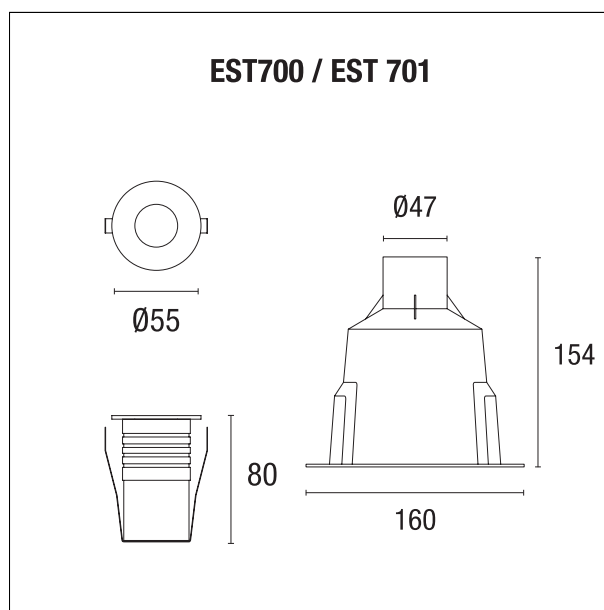
DESCRIPTION

NIP includes a series of MINI recessed fixtures ideal for creating outdoor lighting installations where either white or RGB lighting effects are required. The fixture is equipped with a front panel made of AISI 316L stainless steel, specifically designed to resist corrosion even in critical environments. The protective glass is flushmounted to minimize the entry of dust and debris. NIP operates on a 24V DC voltage in the monochromatic versions and requires specific control in the RGB version. It comes with a dedicated PVC junction box with provisions for lateral connections and a pre-wired H05RN-F power cable measuring 1 meter.



PRODUCTS CHARACTERISTICS

| | |
|------------------------------|--|
| installation type | Small Ingrounds |
| material | Aluminum die casting / AISI 316 stainless steel |
| Finish | Anodized |
| Color | Steel |
| Power | 2 W |
| Lumen output - Full emission | 170 lm |
| Efficacy | 98 lm/W |
| Diameter | ø 55 mm. |
| net weight | 0,37 kg. |



ELECTRICAL CHARACTERISTICS

| | |
|------------------|-----------------|
| feeding | 24V DC |
| driver | On:Off |
| Insulation class | Class II |

MECHANICAL CHARACTERISTICS

| | |
|-----------------|-------------|
| product IP rate | IP67 |
| IK | IK08 |

Nip Power Led

EST700 - 2 W - Rounded / 4000 K / CRI >80

LED SOURCE DETAILS

| | |
|-------------------|------------------------------|
| led source type | Power Led |
| Service lifetime | L80 / B20 - 36.000 h. |
| Light temperature | 4000 K |
| CRI | CRI >80 |

LIGHTING DETAILS

| | |
|----------|-----------------|
| emission | Indirect |
| optic | 30° |

PHOTOMETRIC

