

### Miniled

**EST58134** - 1 W - Rounded / 3000 K / CRI >80

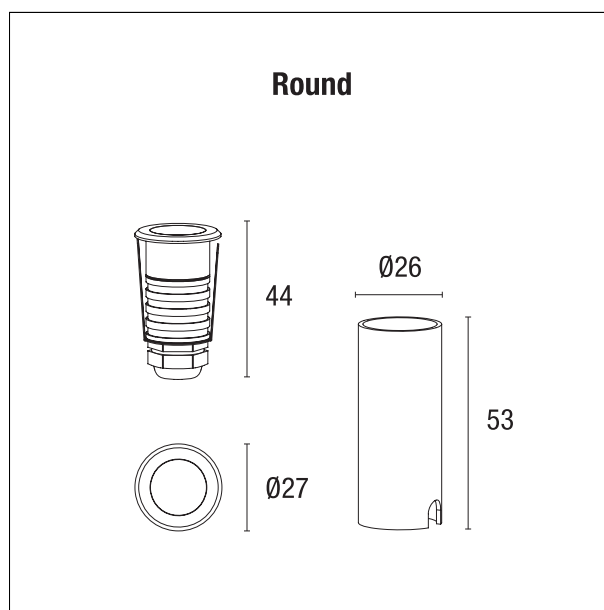
#### DESCRIPTION

**Miniled is a floor and wall recessed product 1W/ 350 mA; IP67 rating. Aluminium body with front ring in AISI 316 steel, round or square (also available in matt white). Transparent protection glass. 3 optics available. Equipped with PBT housing. Driver not included.**



#### PRODUCTS CHARACTERISTICS

installation type	<b>Small Ingrounds</b>
material	<b>Aluminum / AISI 304 stainless steel</b>
Color	<b>White</b>
Power	<b>1 W</b>
Lumen output - Full emission	<b>110 lm</b>
Efficacy	<b>110 lm/W</b>
Diameter	<b>Ø 27 mm.</b>
net weight	<b>0,06 kg.</b>



#### ELECTRICAL CHARACTERISTICS

feeding	<b>350 mA CC</b>
Insulation class	<b>Class III</b>

#### MECHANICAL CHARACTERISTICS

product IP rate	<b>IP67</b>
-----------------	-------------

### Miniled

**EST58134** - 1 W - Rounded / 3000 K / CRI >80

#### HOLE RECESS DIMENSIONS

hole recess diameter **ø 23 mm.**

#### LED SOURCE DETAILS

led source type	<b>Power Led</b>
LED current	<b>350 mA</b>
Light temperature	<b>3000 K</b>
CRI	<b>CRI &gt;80</b>

#### LIGHTING DETAILS

emission	<b>Direct</b>
luminous effect	<b>Projected</b>
optic	<b>20°</b>

#### PHOTOMETRIC

