

### Gong

**EST58021** - 2 W - Dual Emission / 4000 K / CRI >80

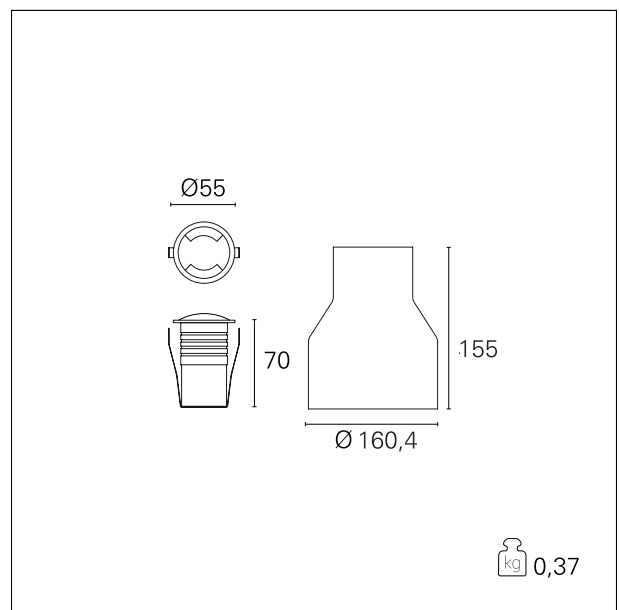
#### DESCRIPTION

Gong is a recessed floor luminaire ideal for outdoor path lighting. Extremely compact, it is made of die-cast aluminum and can illuminate the ground with a beam of grazing light or in one direction or in two opposite directions; the rounded shape of the ring prevents accidental tripping and eliminates direct glare from the source. Gong is wired with a H05RN-F neoprene power cable 1 meter long and is supplied with a PVC sleever complete with cover cap, drilled for through-wiring both horizontally and vertically. The installation can be carried out without having to open the fixture, allowing the waterproofing conditions of the optical compartment to be maintained thus avoiding the formation of condensation inside.



#### PRODUCTS CHARACTERISTICS

installation type	<b>Small Ingrounds</b>
material	<b>Aluminum die casting</b>
Color	<b>Steel</b>
Power	<b>2 W</b>
Lumen output - Full emission	<b>8 lm</b>
Diameter	<b>ø 55 mm.</b>
net weight	<b>0,37 kg.</b>



#### ELECTRICAL CHARACTERISTICS

feeding	<b>220÷240 V</b>
driver	<b>On:Off</b>
Insulation class	<b>Class I</b>

#### MECHANICAL CHARACTERISTICS

product IP rate	<b>IP67</b>
IK	<b>IK10</b>

### Gong

**EST58021** - 2 W - Dual Emission / 4000 K / CRI >80

#### LED SOURCE DETAILS

led source type	<b>Power Led</b>
Service lifetime	<b>L80 / B20 - 36.000 h.</b>
Light temperature	<b>4000 K</b>
CRI	<b>CRI &gt;80</b>

#### LIGHTING DETAILS

emission	<b>Indirect</b>
optic	<b>110°</b>

#### PHOTOMETRIC

