

Gong

EST58020 - 2 W - Single Emission / 4000 K / CRI >80

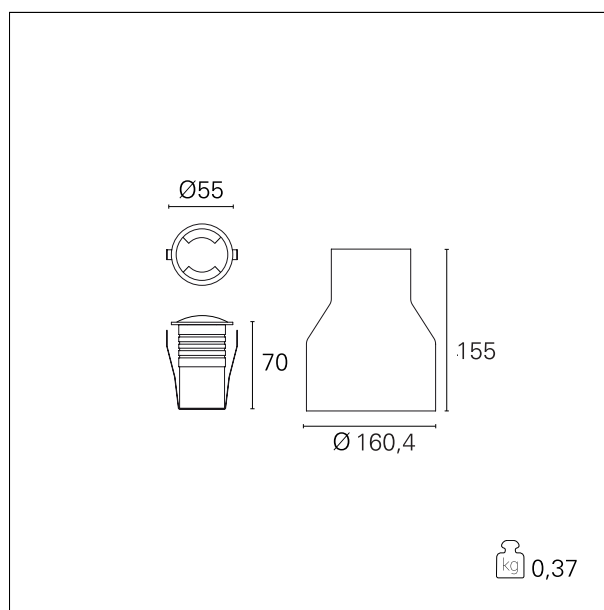
DESCRIPTION

Gong is a recessed floor luminaire ideal for outdoor path lighting. Extremely compact, it is made of die-cast aluminum and can illuminate the ground with a beam of grazing light or in one direction or in two opposite directions; the rounded shape of the ring prevents accidental tripping and eliminates direct glare from the source. Gong is wired with a H05RN-F neoprene power cable 1 meter long and is supplied with a PVC sleever complete with cover cap, drilled for through-wiring both horizontally and vertically. The installation can be carried out without having to open the fixture, allowing the waterproofing conditions of the optical compartment to be maintained thus avoiding the formation of condensation inside.



PRODUCTS CHARACTERISTICS

installation type	Small Ingrounds
material	Aluminum die casting
Color	Steel
Power	2 W
Lumen output - Full emission	5 lm
Diameter	ø 55 mm.
net weight	0,37 kg.



ELECTRICAL CHARACTERISTICS

feeding	220÷240 V
driver	On:Off
Insulation class	Class I

MECHANICAL CHARACTERISTICS

product IP rate	IP67
IK	IK10

Gong

EST58020 - 2 W - Single Emission / 4000 K / CRI >80

LED SOURCE DETAILS

led source type	Power Led
Service lifetime	L80 / B20 - 36.000 h.
Light temperature	4000 K
CRI	CRI >80

LIGHTING DETAILS

emission	Indirect
optic	110°

PHOTOMETRIC

