

Hole Step

EST58011 - 6 W - 61 x 160 mm. / 3000 K / CRI >80

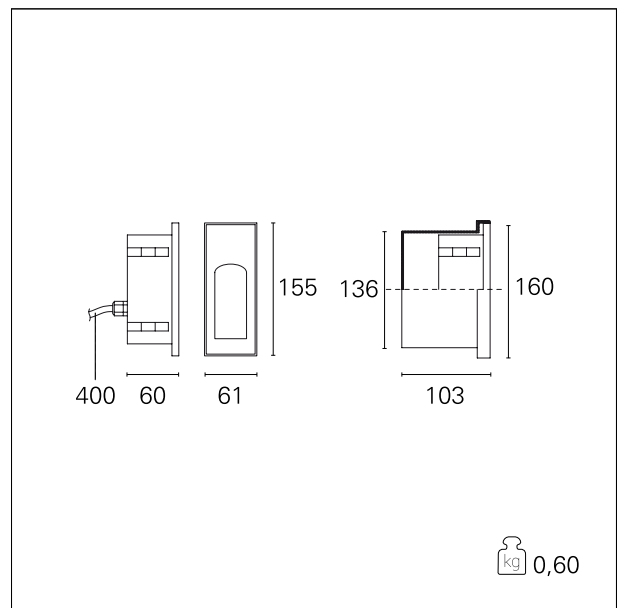
DESCRIPTION

Hole Step completes the Hole series with recessed wall versions, dedicated to the lighting of external paths. The body is made of die-cast painted aluminum and is recessed on the wall thanks to the specific PVC sleeve already drilled for the passage of the connection cables; Hole's optical body is inserted into the sleeve thanks to a special steel housing which allows its precise positioning flush with the wall. The surface of the Hole front is painted in white or black, is protected by the protective glass and characterizes the aesthetic appearance of the appliance. Hole Step is equipped with a Cob Led source, suitably set back to emit light downwards, avoiding any form of glare. The device is wired with a H05RN-F neoprene power cable 40 cm. of length. Hole Step combines with the Hole Ground recessed wall versions.



PRODUCTS CHARACTERISTICS

installation type	Wall Recessed
material	Aluminum die casting
Color	Black
Power	6 W
Lumen output - Full emission	460 lm
Efficacy	77 lm/W
net weight	0,60 kg.



ELECTRICAL CHARACTERISTICS

feeding	220÷240 V
driver	On÷Off
Insulation class	Class I

MECHANICAL CHARACTERISTICS

product IP rate	IP67
-----------------	-------------

Hole Step

EST58011 - 6 W - 61 x 160 mm. / 3000 K / CRI >80

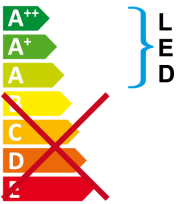
IK

IK06

ENERGY CLASSIFICATION



This luminaire contains built-in LED lamps.



The lamps cannot be changed in the luminaire.

LED SOURCE DETAILS

led source type	CoB Led
Service lifetime	L80 / B20 - 36.000 h.
Light temperature	3000 K
CRI	CRI >80

LIGHTING DETAILS

emission	Direct
optic	32°

PHOTOMETRIC

Hole Step

EST58011 - 6 W - 61 x 160 mm. / 3000 K / CRI >80

