

Hole Ground

EST54305 - 5 W - Rounded / 3000 K / CRI >80

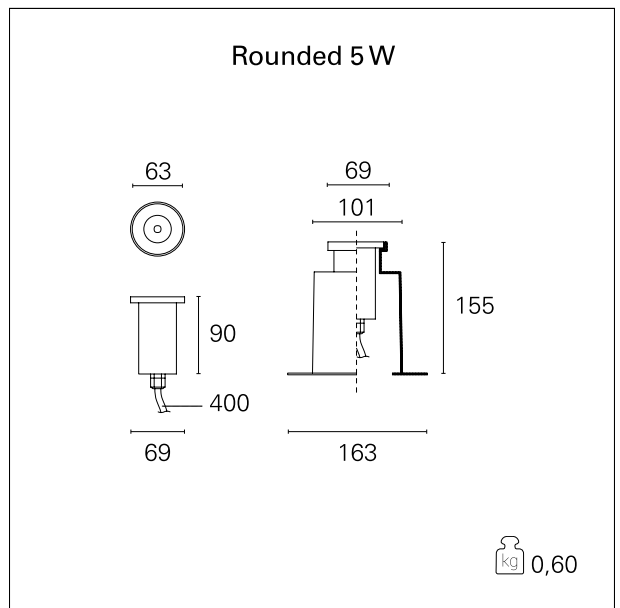
DESCRIPTION

Hole Ground is a family of IP67 recessed luminaires ideal for lighting areas and outdoor paths. The luminaire body is made of die-cast painted aluminum and complete with front made of transparent tempered glass 4 mm. thick; the surface below the front part is painted in matt white or matt black, and characterizes the aesthetic appearance of the fixture once installed. The body of Hole Ground is installed perfectly flush with the ground by staying in a special steel housing, made in the sleeve supplied. The fixture is wired with a H05RN-F 3x 1.0 mm² neoprene power cable 40 cm. meter length.



PRODUCTS CHARACTERISTICS

installation type	Small Ingrounds
material	Aluminum die casting
Color	Black
Power	5 W
Lumen output - Full emission	490 lm
Efficacy	98 lm/W
Diameter	ø 63 mm.
net weight	0,60 kg.



ELECTRICAL CHARACTERISTICS

feeding	220÷240 V
driver	On:Off
Insulation class	Class I

MECHANICAL CHARACTERISTICS

product IP rate	IP67
IK	IK06

Hole Ground

EST54305 - 5 W - Rounded / 3000 K / CRI >80

LED SOURCE DETAILS

led source type	CoB Led
Service lifetime	L80 / B20 - 36.000 h.
Light temperature	3000 K
CRI	CRI >80

LIGHTING DETAILS

emission	Indirect
optic	32°

PHOTOMETRIC

