

Bart Multiled

EST54102 - 3x 2 W - Adjustable / 4000 K / CRI >80

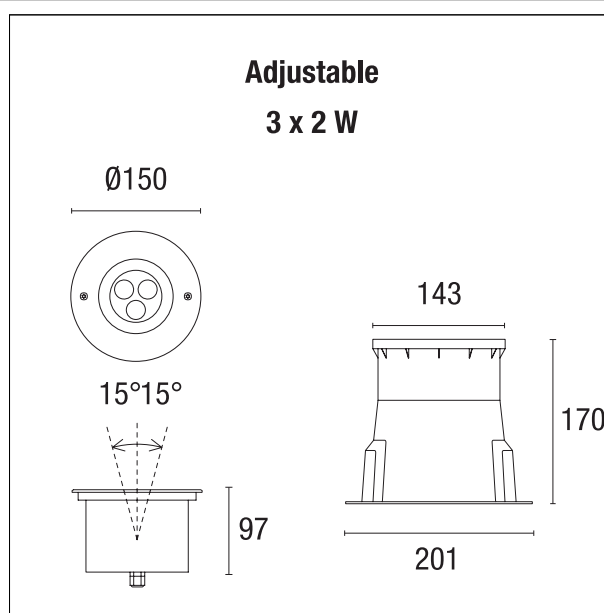
DESCRIPTION

Recessed fixtures are primary elements in contemporary lighting design choices for creating highlights and dramatic lighting effects. In this product line, you'll find our best-selling items in the outdoor recessed program. The selection covers various light outputs, dimensions, LED types, optics, and adjustability. The fixture consists of a die-cast aluminum structure in which drivers, optics, and LED components are housed. Great care is taken in selecting the quality of die-casting, painting, and additional components. All models have a ring made of stainless steel AISI 316L, which, combined with specifically designed gaskets, provides the necessary sealing guarantees for every installation. Our offering is structured into two sections: CoB and Power LED.



PRODUCTS CHARACTERISTICS

installation type	Small Ingrounds
material	AISI 316L stainless steel
Color	Steel
Power	3x 2 W
Lumen output - Full emission	480 lm
Efficacy	102 lm/W
net weight	1,2 kg.



ELECTRICAL CHARACTERISTICS

feeding	220÷240 V
driver	On:Off
Insulation class	Class I

MECHANICAL CHARACTERISTICS

product IP rate	IP67
IK	IK09

Bart Multiled

EST54102 - 3x 2 W - Adjustable / 4000 K / CRI >80

LED SOURCE DETAILS

led source type	Multiled
Service lifetime	L80 / B20 - 50.000 h.
Light temperature	4000 K
CRI	CRI >80

LIGHTING DETAILS

emission	Indirect
optic	20°

PHOTOMETRIC

