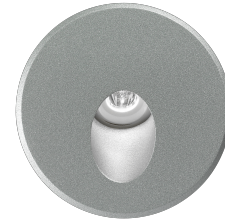


Polka

EST54017 - 3 W - Rounded \varnothing 56 mm. / 3000 K / CRI >80

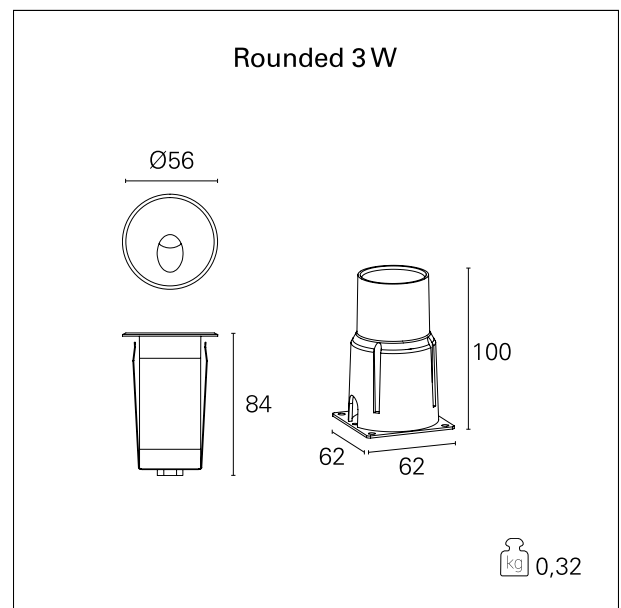
DESCRIPTION

Polka is a path lighter for indoor and outdoor applications. Painted die-cast aluminum made, it is equipped with a H05RN-F 3x1mm² neoprene power cable with a length of 100 mm. It is particularly suitable for outdoor installations. Thanks to its asymmetrical emission and to the led source hidden in the body, it illuminates the floor comfortably and without glare. PVC housing included



PRODUCTS CHARACTERISTICS

installation type	Wall Recessed
material	Aluminum die casting
Finish	Painted
Color	Gray
Power	3 W
Lumen output - Full emission	120 lm
Efficacy	40 lm/W
Diameter	\varnothing 56 mm.
net weight	0,32 kg.



ELECTRICAL CHARACTERISTICS

feeding	220÷240 V
driver	On:Off
Insulation class	Class I

MECHANICAL CHARACTERISTICS

product IP rate	IP65
IK	IK10

Polka

EST54017 - 3 W - Rounded \varnothing 56 mm. / 3000 K / CRI >80

LED SOURCE DETAILS

led source type	Power Led
Service lifetime	L80 / B20 - 36.000 h.
Light temperature	3000 K
CRI	CRI >80

LIGHTING DETAILS

emission	Direct
optic	30°

PHOTOMETRIC

