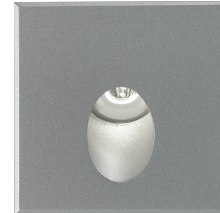


### Polka

**EST54016** - 3 W - Squared 56 x 56 mm. / 4000 K / CRI >80

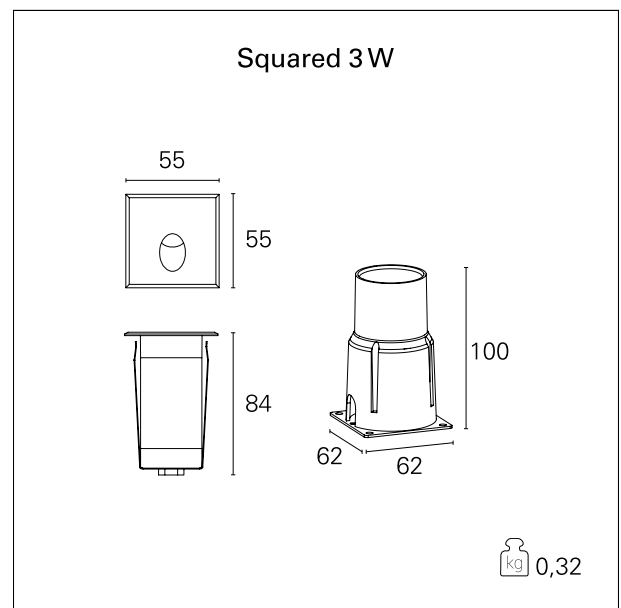
#### DESCRIPTION

Polka is a path lighter for indoor and outdoor applications. Painted die-cast aluminum made, it is equipped with a H05RN-F 3x1mm<sup>2</sup> neoprene power cable with a length of 100 mm. It is particularly suitable for outdoor installations. Thanks to its asymmetrical emission and to the led source hidden in the body, it illuminates the floor comfortably and without glare. PVC housing included



#### PRODUCTS CHARACTERISTICS

installation type	<b>Wall Recessed</b>
material	<b>Aluminum die casting</b>
Finish	<b>Painted</b>
Color	<b>Gray</b>
Power	<b>3 W</b>
Lumen output - Full emission	<b>150 lm</b>
Efficacy	<b>50 lm/W</b>
Dimensions	<b>56 x 56 mm.</b>
net weight	<b>0,32 kg.</b>



#### ELECTRICAL CHARACTERISTICS

feeding	<b>220÷240 V</b>
driver	<b>On:Off</b>
Insulation class	<b>Class I</b>

#### MECHANICAL CHARACTERISTICS

product IP rate	<b>IP65</b>
IK	<b>IK10</b>

### Polka

**EST54016** - 3 W - Squared 56 x 56 mm. / 4000 K / CRI >80

#### LED SOURCE DETAILS

led source type	<b>Power Led</b>
Service lifetime	<b>L80 / B20 - 36.000 h.</b>
Light temperature	<b>4000 K</b>
CRI	<b>CRI &gt;80</b>

#### LIGHTING DETAILS

emission	<b>Direct</b>
optic	<b>30°</b>

#### PHOTOMETRIC

