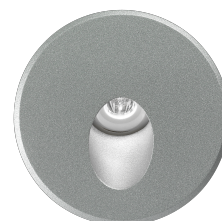


Polka

EST54015 - 3 W - Rounded \varnothing 56 mm. / 4000 K / CRI >80

DESCRIPTION

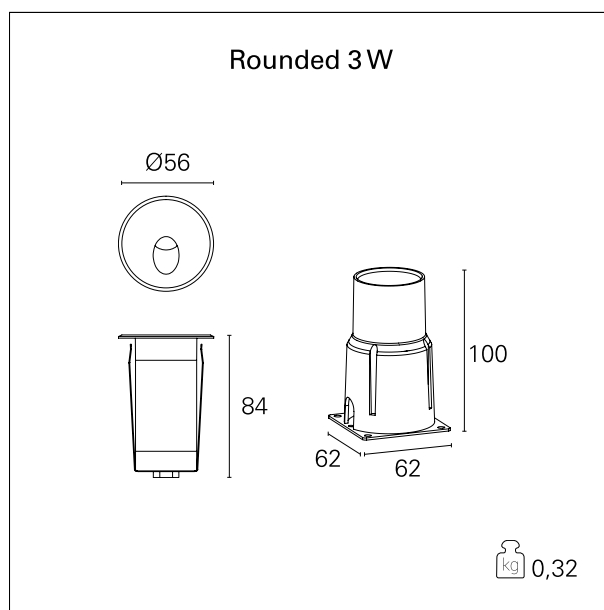
Polka is a path lighter for indoor and outdoor applications. Painted die-cast aluminum made, it is equipped with a H05RN-F 3x1mm² neoprene power cable with a length of 100 mm. It is particularly suitable for outdoor installations. Thanks to its asymmetrical emission and to the led source hidden in the body, it illuminates the floor comfortably and without glare. PVC housing included



PRODUCTS CHARACTERISTICS

installation type
material
Finish
Color
Power
Lumen output - Full emission
Efficacy
Diameter
net weight

Wall Recessed
Aluminum die casting
Painted
Gray
3 W
150 lm
50 lm/W
 \varnothing 56 mm.
0,32 kg.



ELECTRICAL CHARACTERISTICS

feeding **220÷240 V**
driver **On:Off**
Insulation class **Class I**

MECHANICAL CHARACTERISTICS

product IP rate **IP65**
IK **IK10**

Polka

EST54015 - 3 W - Rounded \varnothing 56 mm. / 4000 K / CRI >80

LED SOURCE DETAILS

led source type	Power Led
Service lifetime	L80 / B20 - 36.000 h.
Light temperature	4000 K
CRI	CRI >80

LIGHTING DETAILS

emission	Direct
optic	30°

PHOTOMETRIC

