

Shock

EST51010 - 12 W - Wall mounted - Downlight / 3000 K / CRI >80

DESCRIPTION

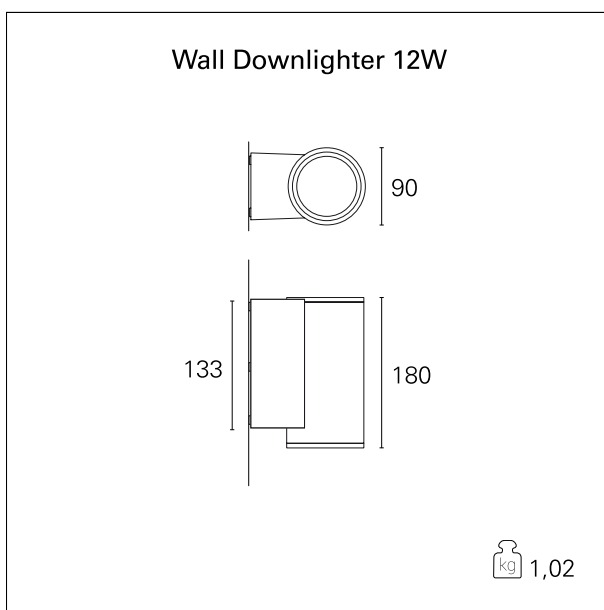
The Shock series is particularly suitable for the lighting of paths, facades and outdoor covered areas. Made of die-cast aluminum, the luminaires is available in three different versions: ceiling downlighter, single and dual emission wall mounting; all versions can be installed quickly thanks to the fixing base that can be separated from the body, and are complete with die-cast front ring with transparent safety tempered glass. Shock is equipped with drivers in the body of the fixture, high efficiency CoB Led and roto-symmetrical 40° optic with curved facets. It is available in matt white and matt grey colour.



PRODUCTS CHARACTERISTICS

installation type
material
Color
Power
Lumen output - Full emission
net weight

Wall and Ceiling Mounted
Aluminum
Gray
12 W
800 lm
1,02 kg.



ELECTRICAL CHARACTERISTICS

feeding
driver
Insulation class

220÷240 V
On:Off
Class I

MECHANICAL CHARACTERISTICS

product IP rate
IK

IP65
IK06

Shock

EST51010 - 12 W - Wall mounted - Downlight / 3000 K / CRI >80

LED SOURCE DETAILS

| | |
|-------------------------|------------------------------|
| led source type | CoB Led |
| Light source connection | LED |
| Service lifetime | L80 / B20 - 36.000 h. |
| Light temperature | 3000 K |
| CRI | CRI >80 |

LIGHTING DETAILS

| | |
|----------|---------------|
| emission | Direct |
| optic | 40° |

PHOTOMETRIC

