

### Shock

**EST50001** - 12+12 W - Wall mounted - Uplight / Downlight / 3000 K / CRI >80

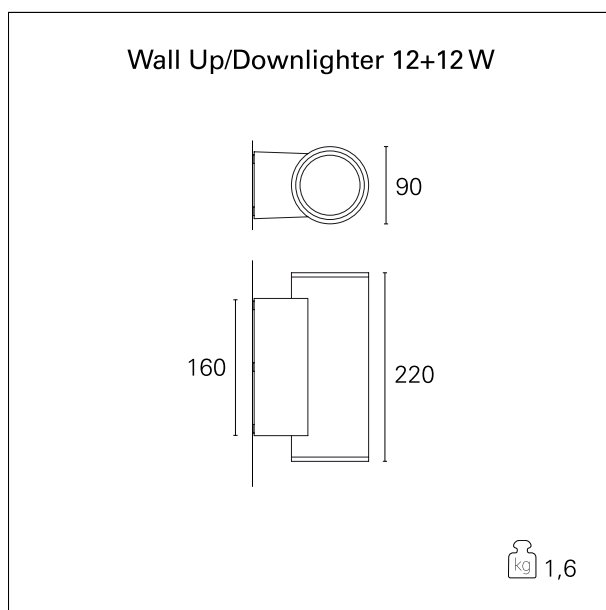
#### DESCRIPTION

The Shock series is particularly suitable for the lighting of paths, facades and outdoor covered areas. Made of die-cast aluminum, the luminaires is available in three different versions: ceiling downlighter, single and dual emission wall mounting; all versions can be installed quickly thanks to the fixing base that can be separated from the body, and are complete with die-cast front ring with transparent safety tempered glass. Shock is equipped with drivers in the body of the fixture, high efficiency CoB Led and roto-symmetrical 40° optic with curved facets. It is available in matt white and matt grey colour.



#### PRODUCTS CHARACTERISTICS

installation type	<b>Wall and Ceiling Mounted</b>
material	<b>Aluminum</b>
Color	<b>White</b>
Power	<b>12+12 W</b>
Lumen output - Full emission	<b>1600 lm</b>
net weight	<b>1,6 kg.</b>



#### ELECTRICAL CHARACTERISTICS

feeding	<b>220÷240 V</b>
driver	<b>On:Off</b>
Insulation class	<b>Class I</b>

#### MECHANICAL CHARACTERISTICS

product IP rate	<b>IP65</b>
IK	<b>IK06</b>

### Shock

**EST50001** - 12+12 W - Wall mounted - Uplight / Downlight / 3000 K / CRI >80

### LED SOURCE DETAILS

led source type	<b>CoB Led</b>
Light source connection	<b>LED</b>
Service lifetime	<b>L80 / B20 - 36.000 h.</b>
Light temperature	<b>3000 K</b>
CRI	<b>CRI &gt;80</b>

### LIGHTING DETAILS

emission	<b>Direct / Indirect</b>
optic	<b>40° + 40°</b>

### PHOTOMETRIC

