

Espirit

EST225 - max. 20 W

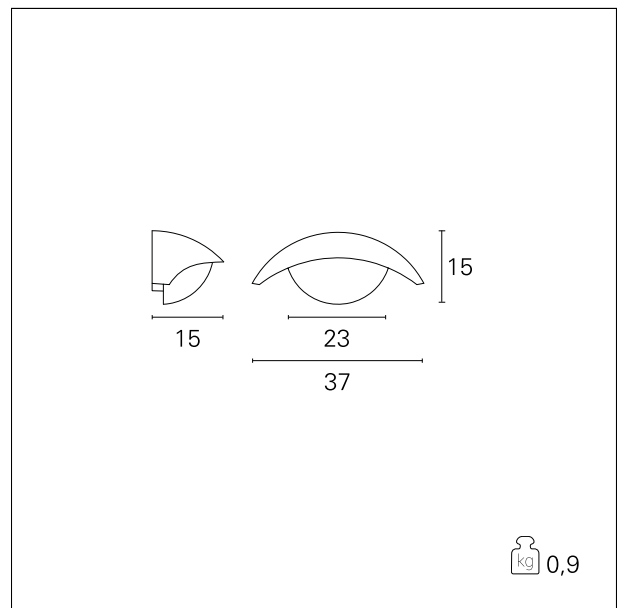
DESCRIPTION

Wall luminaire. Die-cast aluminium body. Opal methacrylate diffusing screen. For E27 FBT bulb. For diffused light effects. IP44 protection. Bulb not included.



PRODUCTS CHARACTERISTICS

| | |
|-------------------|---------------------------------|
| installation type | Wall and Ceiling Mounted |
| material | Aluminum die casting |
| Color | Anthracite |
| Power | max. 20 W |
| net weight | 0,90 kg. |



ELECTRICAL CHARACTERISTICS

| | |
|------------------|------------------|
| feeding | 220÷240 V |
| driver | On:Off |
| Insulation class | Class I |

MECHANICAL CHARACTERISTICS

| | |
|-----------------|-------------|
| product IP rate | IP44 |
|-----------------|-------------|

Espirit

EST225 - max. 20 W

LED SOURCE DETAILS

| | |
|-------------------------|------------------|
| led source type | LED / FBT |
| Light source connection | E27 |

LIGHTING DETAILS

| | |
|----------|---------------|
| emission | Direct |
|----------|---------------|