

### Grenada

**EST146** - 2x E27 max. 18 W - Curved / 2x max. 18 W

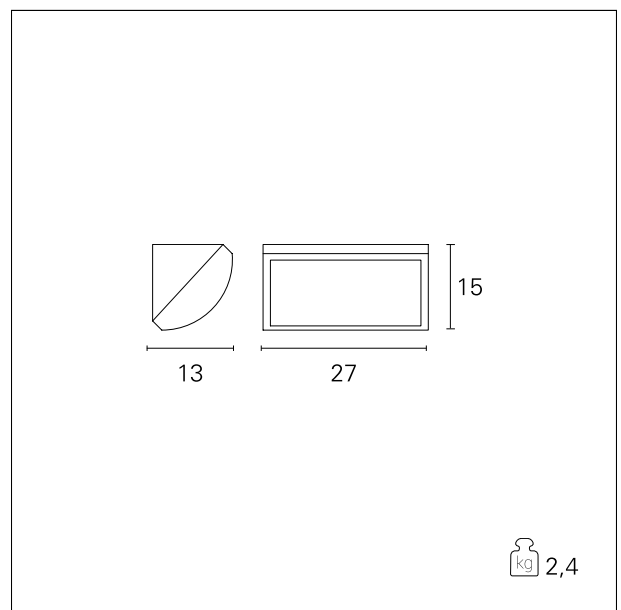
#### DESCRIPTION

Outdoor wall luminaire. Die-cast aluminium body. Opal glass diffusing screen. For E27 FBT bulb. For diffused light effects. IP54 protection. Bulb not included.



#### PRODUCTS CHARACTERISTICS

installation type	<b>Wall and Ceiling Mounted</b>
material	<b>Aluminum die casting</b>
Color	<b>Gray</b>
Power	<b>2x max. 18 W</b>
net weight	<b>2,4 kg.</b>



#### ELECTRICAL CHARACTERISTICS

feeding	<b>220÷240 V</b>
driver	<b>On:Off</b>
Insulation class	<b>Class I</b>

#### MECHANICAL CHARACTERISTICS

product IP rate	<b>IP54</b>
-----------------	-------------

### Grenada

**EST146** - 2x E27 max. 18 W - Curved / 2x max. 18 W

---

#### LED SOURCE DETAILS

---

led source type	<b>LED / FBT</b>
Light source connection	<b>E27</b>

#### LIGHTING DETAILS

---

emission	<b>Direct</b>
----------	---------------