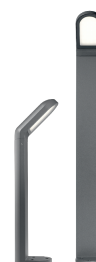


Perth

EST00031 - 9 W / 3000 K / CRI >80

DESCRIPTION

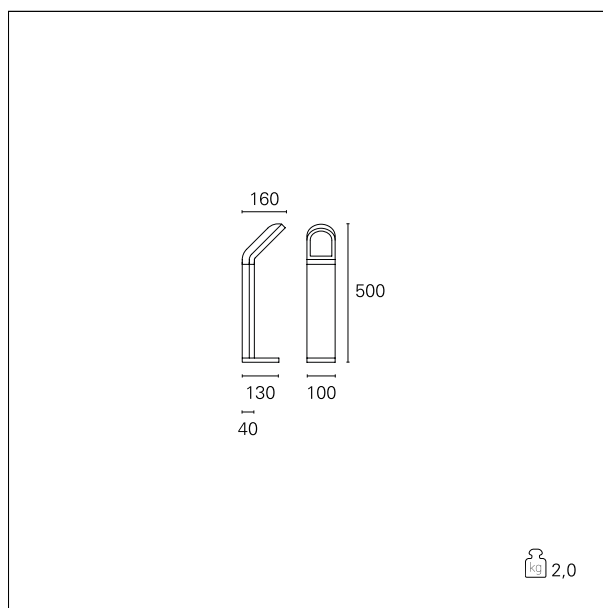
The Perth outdoor bollard series is suitable for the lighting of paths and residential areas. Thanks to its glass diffuser screen, it diffuses light widely, illuminating up to 7 meters away. Available in two different versions 50 cm and 90 cm. height, is equipped with 3000K SMD LED source, is complete with integrated driver and is wired with H07RNF cable and connection box for insulation with insulating and sealing gel. The range includes two versions of 50 cm bollards. and 90 cm. and is completed with the wall version that allows you to expand the installation applications while maintaining the aesthetic suite. The body of the luminaire is made of aluminum and is complete with pre-drilled ground fixing bracket for 3 fixing points.



Switch **On÷Off**

PRODUCTS CHARACTERISTICS

installation type	Bollard
material	Aluminum
Finish	Painted
Color	Gray
Power	9 W
Lumen output - Full emission	650 lm
Efficacy	72 lm/W
Dimensions	h 50 cm.
net weight	2,8 kg.



ELECTRICAL CHARACTERISTICS

feeding	220÷240 V
driver	On÷Off
Insulation class	Class I

MECHANICAL CHARACTERISTICS

product IP rate	IP54
-----------------	-------------

Perth

EST00031 - 9 W / 3000 K / CRI >80

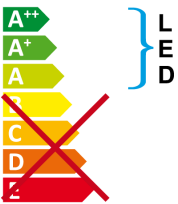
IK

IK06

ENERGY CLASSIFICATION



This luminaire contains built-in LED lamps.



The lamps cannot be changed in the luminaire.

LED SOURCE DETAILS

led source type	SMD Led
Light source connection	LED
Service lifetime	L80 / B50 - 30.000 h
Light temperature	3000 K
CRI	CRI >80

LIGHTING DETAILS

optic	110° / -25° ÷ 75°
-------	--------------------------

PHOTOMETRIC

Perth

EST00031 - 9 W / 3000 K / CRI >80

