

### Emergency Kit

DRV9091

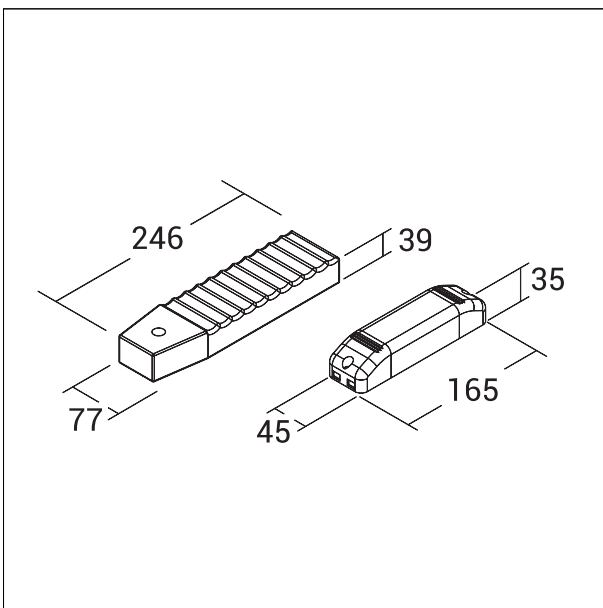
#### DESCRIPTION

Operates in emergency only and continuous light in combination with electronic power supply and dimmerable electronics. Adjustable version with dipswitch for constant current power LED or constant voltage LED modules. Instant response to any power failure. Includes LED charging indicator



#### PRODUCTS CHARACTERISTICS

Rated voltage	220÷240 V
Frequency	50 / 60 Hz
Output voltage	9 ÷ 58 DC (emergency mode)
Output current	351 ÷ 85 mA (emergency mode)
recharging time	24 h.
operating time	3 h
Insulation class	Classe II
product IP rate	IP20
Dimensions	165 x 45 mm. h 35 mm.
net weight	0,88 kg.

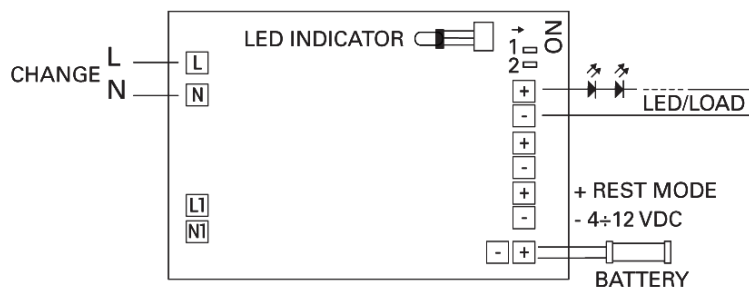


### Emergency Kit

DRV9091

#### WIRING DIAGRAM

Schema di collegamento non permanente (solo emergenza)  
*Wiring diagram - Non-maintained (emergency only)*



Schema di collegamento permanente (illuminazione ordinaria)  
*Wiring diagram - Maintained with external electronic driver*

